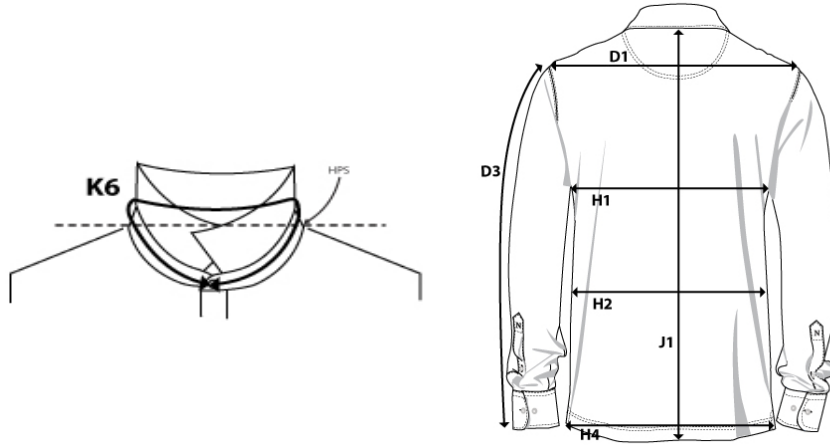
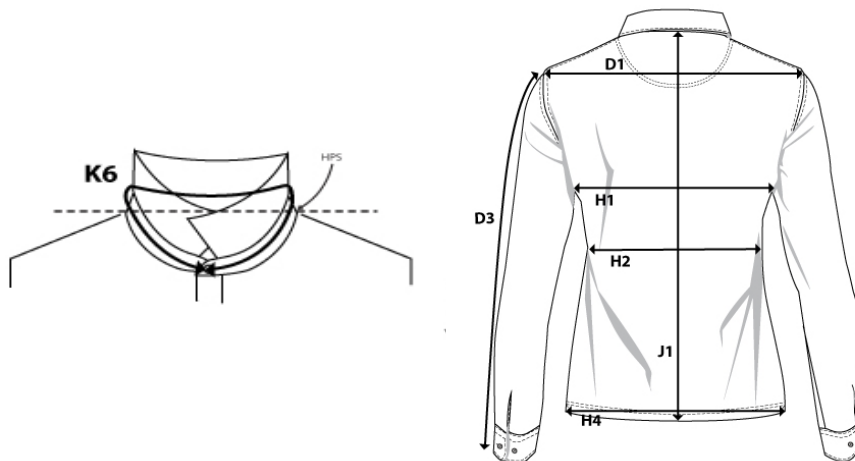


PRODUCT MEASUREMENT
SIZE AND FIT: KINGSTON



KINGSTON Mens

Base size: M / Measurement (in cm)	Diagram	S	M	L	XL	XXL	3XL
SHOULDER TO SHOULDER	D1	42	43,5	45	46,5	48	49,5
SLEEVE LENGTH - from shoulder seam	D3	65	66	67	68	69	70
CHEST WIDTH at armhole	H1	49	52	55	58	61	64
WAIST	H2	47	50	53	56	59	62
BOTTOM WIDTH	H4	49	52	55	58	61	64
FULL LENGTH at centre back	J1	68	70	72	74	76	78
NECKLINE CF to CF	K6	38	40	42	44	46	48



KINGSTON Ladies

Base size: M / Measurement (in cm)	Diagram	XS	S	M	L	XL	XXL	3XL
SHOULDER TO SHOULDER	D1	34	35	36	37	38	39	40
SLEEVE LENGTH - from shoulder seam	D3	60	61	62	63	64	65	66
CHEST WIDTH at armhole	H1	43	46	49	52	55	59	63
WAIST	H2	40	43	46	49	52	57	61
BOTTOM WIDTH	H4	43	46	49	52	55	59	63
FULL LENGTH at centre back	J1	62	64	66	68	70	72	74
NECKLINE CF TO CF	K6	36	37	38	39	40	41	42