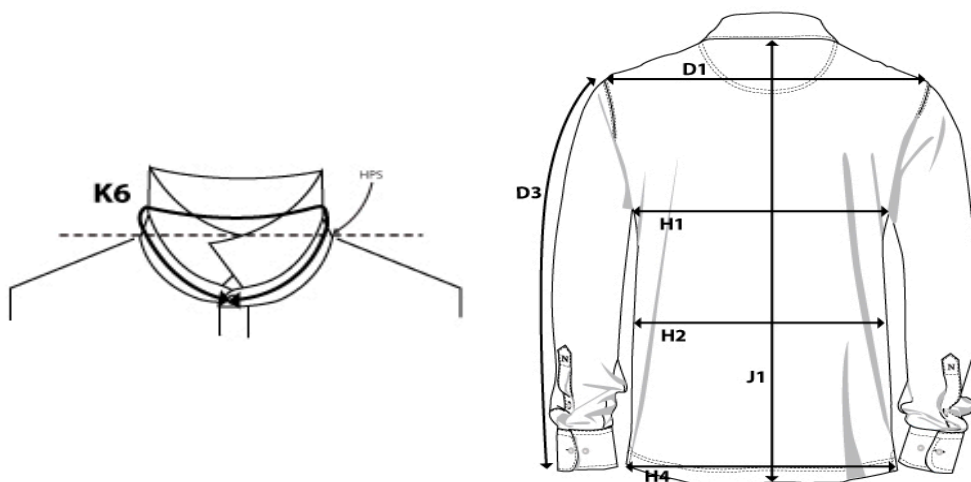
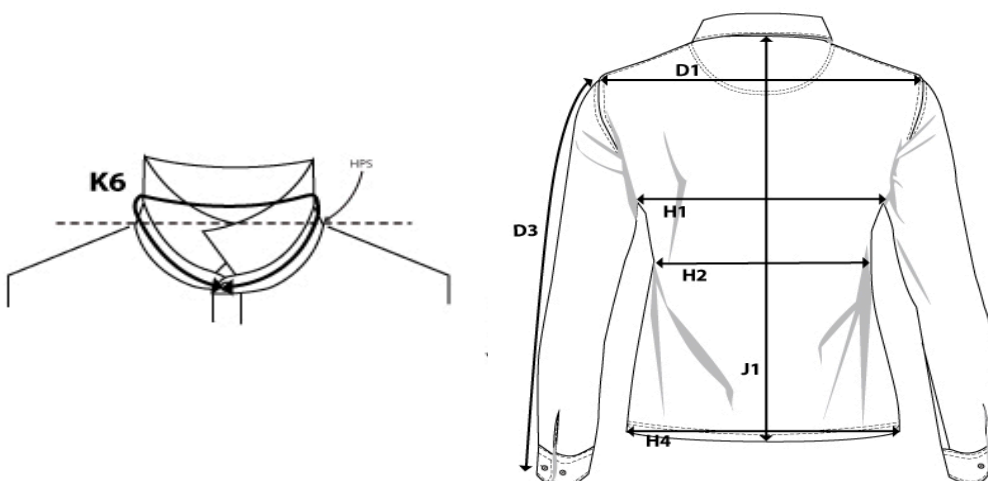


SIZE AND FIT: CARLINGTON



CARLINGTON Mens

Measurement (in cm)	Diagram	S	M	L	XL	XXL	3XL	4XL
SHOULDER TO SHOULDER	D1	42	43,5	45	46,5	48	49,5	51
SLEEVE LENGTH - from shoulder seam	D3	66	67	68	69	70	71	71
CHEST WIDTH at armhole	H1	47	50	53	56	59	62	65
WAIST	H2	46	49	52	55	58	61	64
BOTTOM WIDTH	H4	46	49	52	55	58	61	64
FULL LENGTH at centre back	J1	68	70	72	74	76	78	78
NECKLINE CF to CF	K6	38	40	42	44	46	48	50



CARLINGTON Ladies

Measurement (in cm)	Diagram	XS	S	M	L	XL	XXL
SHOULDER TO SHOULDER	D1	34	35	36	37	38	39
SLEEVE LENGTH - from shoulder seam	D3	59	60	61	62	63	64
CHEST WIDTH at armhole	H1	39	42	45	48	51	54
WAIST	H2	35	38	41	44	47	50
BOTTOM WIDTH	H4	39	42	45	48	51	54
FULL LENGTH at centre back	J1	62	64	66	68	70	72
NECKLINE CF TO CF	K6	36	37	38	39	40	41