

## PR182 'Clip & Clasp' Cross-Back Bib Apron

### Description:

A beautifully styled apron with exquisite design features. Cross-back in its design, the apron straps are constructed in a self-coloured herringbone weave and are attached to the apron with clasps that hook through eyelets. The straps cross at the back and loop through eyelets at the waist and tie neatly at the back. The apron body has three large patch pockets with rivet details and a self-fabric cloth holder. There's also a smaller pen pocket. A cotton - recycled polyester canvas blend gives this 'Clip & Clasp' apron durability, shape and a soft hand feel.

### Product Features:

- Cross-back apron style
- Strong and durable canvas
- Clasps that secure straps
- Faux leather fabric detail
- Three large patch pockets with rivet detail
- Self-fabric cloth holder
- Gun metal / antique brass eyelets

### Available In:

One Size

### Certifications:



Certified 80% Recycled  
Recycled Blend Cotton/Polyester  
Cotton Rich  
© 2025

Sedex Member

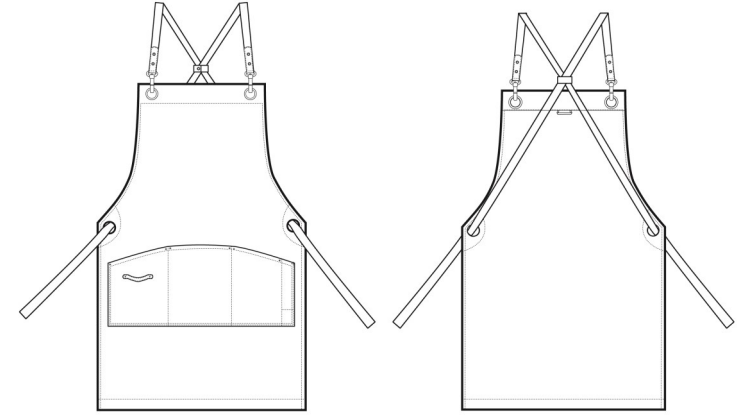
### Colours:

Colour	Code	0	0	0	100
Black	Black c	0	0	0	100
Dark Grey	425	52	29	30	78
Natural	4755	3	16	20	9
Olive	7763	46	26	84	66
Khaki	7536	11	13	30	32
Navy	533	95	72	15	67

Version: 0.1

### Fabric:

60% Cotton, 40% Recycled Polyester, 310gsm



### Suggested Decoration:

Screen Print, Transfer Print, Embroidery

### Country of Origin:

Bangladesh

### Commodity Code:

6211421000

### Features:



### Wash Care:



### Carton Information:

Sizes	Carton	Pack	SKU's	Carton Weight	Carton Dimensions
One size	36	6	6	18kg approx.	60cm x 40cm x 22cm